



USER MANUAL

RGB monitor

V1.0

Disclaimer

The information provided in this manual is for the convenience of the user and is for reference only; Dignity Electronics does not warrant its completeness or accuracy. The information in this document is subject to change without notice.

As many factors affect touch panel performance and usage, end users must evaluate the touch panel and accompanying software to determine whether it is suitable for the user's intended application.

Copyright

This document is the property of Dignity Electronics, and no part of this document may be reproduced or transmitted in any form or by any means (electronic or mechanical) for any purpose without the express written permission of Dignity Electronics. The furnishing of this document does not grant any license to these patents, trademarks, copyrights, or other intellectual property rights, except as expressly provided in the Written License Agreement of Dignity Electronics. Dignity Electronics may have patents or pending patent applications, trademarks, copyrights, or other intellectual property rights covering the subject matter of this document.

Contents

Section 1: Introduction	4
Section2: Installation	7
Section3: Mounting	13
Section4: Operation	14
Section5: Technical Support & Troubleshooting	21
Section6: Safety& Maintenance	22
Section7: Regulatory Information	24
Section8: Warranty Information	28

Section 1: Introduction

Product Description

The RGB monitor, include open frame and close frame, combines Dignity's latest developments in touch technology and RGB monitor design with the rugged construction and reliability for use in gaming industry and high-traffic environments.

This series of touch monitors provide high quality display and touch performance. Sizes include: 21.5inch, 23.8 inch, 27 inch, 31.5 inch, 43 inch, with full HD 1920 x 1080 resolution. The LED backlight significantly reduces power consumption. Additional features that enhance this LCD touch monitor's performance include Plug & Play compatibility, remote on-screen display (OSD) controls and flexible mounting options.

Important Safety Instructions

- Before using this monitor, please read this manual thoroughly to help protect against damage to the device or the immediate environment, and ensure the personal safety of yourself and others.
- Follow all warnings, precautions, and maintenance tips in this user manual to maximize the service life of the device and prevent risks to user security.
- For more information on ensuring proper product service, please review the "Security and Maintenance" section.
- This manual contains the information required to properly install and maintain the touch monitor. Please follow the instructions and

refer any required service to qualified service personnel or contact your distributor.

Safety Precautions

- Turn off the product before cleaning.
- Surface may be cleaned using a soft clean cloth moistened with mild window glass commercial cleaners or 50/50 mixture of water and isopropyl alcohol.
- Use a soft cloth moistened with mild detergent to clean the display housing.
- Disconnect the power plug from AC outlet if the product is not going to be used for an extended period of time.
- Do not touch the LED display screen surface with sharp or hard objects.
- Do not use abrasive cleaners, waxes or solvents for your cleaning.
- Do not operate the product under the following conditions:
 - Extremely hot, cold or humid environment.
 - Areas susceptible to excessive dust and dirt.
 - Near any appliance generating a strong magnetic field.
 - In direct sunlight.
 - For over 16 hours per day.
- If smoke, abnormal noise or odor emits from your LED LCD Monitor, remove the power
- cord immediately and call your service center.
- Never remove the rear cover of your LED LCD Monitor. The display unit inside contains
- high-voltage parts and may cause electric shock.
- Never try to repair your LED LCD Monitor yourself. Always call your service center or a qualified technician to fix it.
- Due to safety concerns, if the VESA mounting kit is purchased separately, please make sure the mounting kit is UL-listed, and

replaceable only by service personnel.

- Do not operate the product under the following conditions:

Extremely hot, cold or humid environment.

Areas susceptible to excessive dust and dirt.

Near any appliance generating a strong magnetic field.

*** represents that contents only applicable to touch monitor*

Section 2: Installation

Accessories of Touch monitor

DG2155-0137-C814-B0 / DG2385-0138-C814-B0 / DG2705-0140-C814-B0 / DG2705-0169-C814-B1/DG3155-0141-C814-B0 DG2156-0157-C814-B0/DG2386-0139-C814-B0/DG2706-0142-C814-B0/DG3156-0143-C814-B0/DG2707-0170-C814-B0 DG3157-0190-C814-B0	
◆ VGA cable (optional)	◆ HDMI cable (optional)
◆ Touch USB cable (optional)	◆ OSD remote (optional)
◆ OSD cable (optional)	◆ Power supply (optional)
◆ Mounting brackets (optional)	◆ led strip cascade cable (optional)
◆ led strip controller (optional)	

DG4305-0158-C814-B1 / DG4305-0150-C814-B0 / DG4306-0159-C814-B1/ DG4306-0151-C814-B0	
◆ VGA cable (optional)	◆ HDMI cable (optional)
◆ Mounting brackets (optional)	◆ OSD remote (optional)
◆ OSD cable (optional)	◆ AC power cord (optional)
◆ led strip cascade cable (optional)	◆ led strip controller (optional)

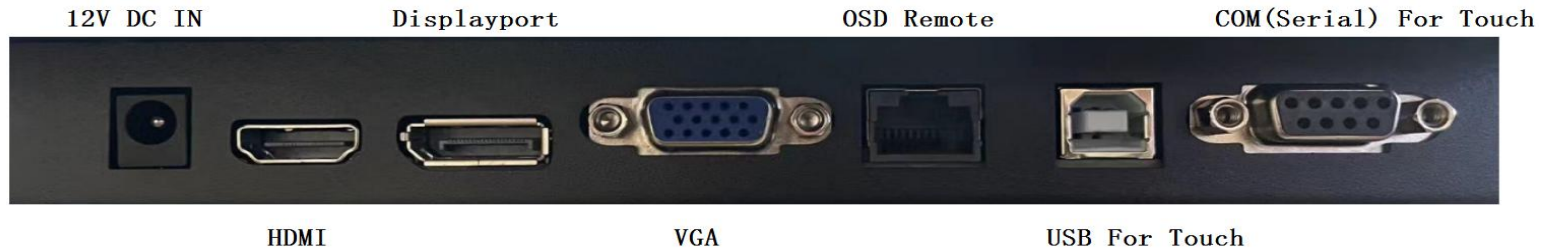
Accessories of Non-Touch monitor

DG2155-0172-N814-B0 / DG2385-0173-N814-B0 / DG2705-0175-N814-B0 /DG3155-0176-N814-B0 /DG2156-0177-N814-B0/
DG2386-0178-N814-B0/DG2706-0179-N814-B0/DG3156-0180-N814-B0

◆ VGA cable (optional)	◆ HDMI cable (optional)
◆ Mounting brackets (optional)	◆ OSD remote (optional)
◆ OSD cable (optional)	◆ Power supply (optional)
◆ led strip cascade cable (optional)	◆ led strip controller (optional)

Connector & Interfaces

Interface A:



Interface B:



Interface C:



Comparison Table for Touch/Non-Touch Monitor Interface Type

Monitor Model	Interface
DG2155-0137-C814-B0 / DG2385-0138-C814-B0 / DG2705-0140-C814-B0 DG2705-0169-C814-B1/ DG3155-0141-C814-B0 / DG2156-0157-C814-B0 DG2386-0139-C814-B0/ DG2706-0142-C814-B0/ DG3156-0143-C814-B0 DG2707-0170-C814-B0/ DG3157-0190-C814-B0	Interface A (Touch)
DG4305-0158-C814-B1/ DG4305-0150-C814-B0/ DG4306-0159-C814-B1 DG4306-0151-C814-B0	Interface B (Touch)
DG2155-0172-N814-B0 / DG2385-0173-N814-B0 / DG2705-0175-N814-B0 DG3155-0176-N814-B0 / DG2156-0177-N814-B0/ DG2386-0178-N814-B0 DG2706-0179-N814-B0/ DG3156-0180-N814-B0	Interface C (Non-Touch)

*Touch Monitor Connections

1. Connect the HDMI/DP/VGA video cables between the monitor's HDMI/DP/VGA input connectors and your HDMI/DP/VGA video source. Tighten the video cable's screws for best performance on VGA connector.
2. Connect the touch USB cable between the monitor's USB connector and your PC's USB port.
Or Connect the Serial touch cable between the monitor's COM (Serial) connector and your PC's COM (Serial) port.
3. Connect the 12V DC power supply to the monitor's input power jack.

For interface B, please connect AC power cord to the monitor's input power jack.

*Installing the Touch Technology Software Drivers

- For touch monitors with Windows 7/8/10 or latest version, no additional drivers are required; the touch monitor will use the built-in Windows HID driver.
- If the monitor is running Windows XP, please contact your service provider or Dignity Europe distributor and/or authorized reseller to install the Windows XP-compatible touch drivers, or the latest touch drivers according to the operating system used by the host.

RGB Strip Connections and definition

1. connector model: C3030-2X02AW(5557-3.0-4P Double row 90 degree curved needle)

Connector 1 ¹		Connector 2 ²		Connector 3 ²		Connector 4 ³	
④(GND)	③(NC)	④(NC)	③(NC)	④(NC)	③(NC)	④(GND)	③(NC)
②(DI)	①(12V)	②(NC)	①(NC)	②(NC)	①(NC)	②(NC)	①(12V)

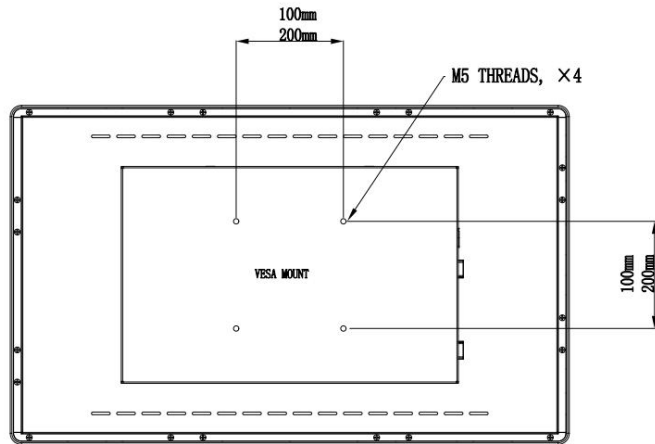
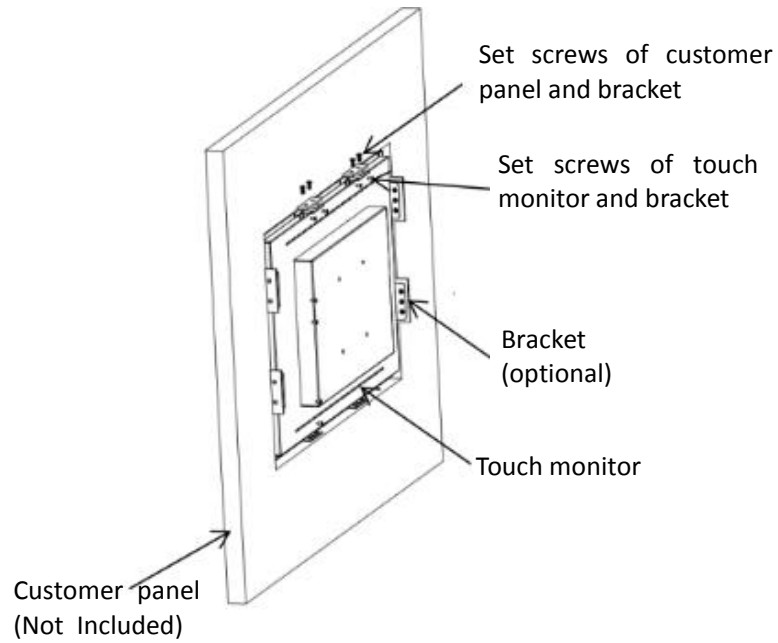


2. Note1: connector1 connects the first strip

Note2: connector2&3 are vacant and do not need to connect the strip

Note3: The 12V and GND pin of all connectors must be connected to LED controller's 12V and GND pin.

Section 3: Mounting



Flush Mount

Flush-mount Bracket Installation Notes:

Bracket shape varies for each model; drawing for illustration purposes only. See dimensional drawing for exact dimensions.

1. Attach bracket to monitor with 3*8 screws(optional).(All four sides)
2. Secure brackets(optional) to mounting holes of customer panel M4 screws on all four sides.

Rear VESA Mount

A four-hole mounting pattern for M5 screws is provided on the rear of the monitor.

The VESA FDMI-compliant counting is coded: VESA MIS-E,C.

Section 4: Operation

Power

- The monitor ships in an ON state.
- To turn the monitor on or off, please press the power button on the OSD board.
- The LED power status on the OSD board shows the system status as per the following table:

Touch Monitor / Computer Module Status	LED Status
OFF	OFF
SLEEP	ON
ON	ON

- The system consumes low power when in SLEEP and OFF modes, can enter sleep mode by manually or automatically.
- *Touching the screen will bring the attached PC out of SLEEP mode (similar to moving the mouse or pressing keyboard).
- To improve reliability and reduce wasteful power consumption, disconnect the power supply from the monitor when the product in an extended period of non-usage.

*Touch Performance

- Your touch monitor has been calibrated during the production process and does not require manual calibration unless the input video is not fully scaled to the native resolution, or the touch experience needs to be calibrated to a specific user.
- When connected to Windows 7, 8.1 and 10 or later computers, the touchscreen display can report 10 simultaneous touches.
- When connected to Windows XP computers, the touchscreen display reports single touch.
- No additional drivers are required for this technology to work with Windows 7, 8.1 and 10 or later, it uses Windows HID drivers.
- Refer to Chapter 2, Section “Installing the Touch Technology Software Drivers” to find instructions to download touch drivers for Windows XP.

Gesture Support

- For a list and description of various gestures that are supported in Windows 7, please visit the Microsoft knowledge database below
 - <http://msdn.microsoft.com/en-us/library/dd940543>

Video

- The standard resolution of monitor is its width and height measured in pixels (this information is available in the model’s datasheet and can be referenced there). For best performance, an image displayed on this monitor will look its best when your computer’s output resolution matches the monitor’s native resolution. For computer output resolutions at non-native resolutions, the monitor will scale the video to its panel’s native resolution. This involves stretching or compressing the input image as needed in the X- and Y-dimensions to fit the display’s

native resolution.

- An unavoidable by product of the scaling algorithms is a loss of fidelity when the computer's output video image is scaled by the monitor to fit the display.
- This loss of fidelity is most apparent when viewing feature-rich images at close distances (for example images containing small-font text).
- Your touch monitor should not require any kind of video adjustments. However, for analog VGA video, variations in video graphic card outputs may require user adjustments through the OSD to optimize the quality of the monitor's displayed image.

Screen Display Controls (OSD)

- Four OSD buttons are located on a wired control box.
- These buttons can be used to adjust various display parameters, turn the monitor on and off, and access the menu options.



The buttons and their functionality are as follows:

Button	Function when OSD is not displayed	Function when OSD is displayed
MENU	Display OSD Main menu	Select submenu to enter / select parameter to adjust
LEFT	Display OSD Brightness submenu / reduce brightness	Decrease value of selected parameter / select next menu item
RIGHT	Display OSD Brightness submenu / increase brightness	Increase value of selected parameter / select previous menu item
AUTO	Automatic image adjustment of VGA video	Back to previous menu / Exit OSD setting
POWER	ON/OFF	Shut on/ off

- The OSD button can also be used to control the on-screen graphical user interface displayed at the top of the input video.
- The following display parameters can be adjusted in the menu using the OSD:

Parameter	Available Adjustment
Brightness	Increase/decrease monitor brightness. Default: maximum
Contrast	Increase/decrease monitor contrast. Default: best gray-shade performance
Clock	Adjust pixel clock of panel Note: Only applicable for VGA input video
Phase	Adjust pixel clock phase of panel Note: Only applicable for VGA input video

Auto Adjust	Automatically adjusts the system clock to the input analog VGA video signal, affecting the H-position, V-position, Clock, and Phase menu items. Note: Only applicable for VGA input video
H-position	Move the image horizontally on the display in single-pixel increments. Default: centered Note: Only applicable for VGA input video
V-position	Move the image vertically on the display in single-pixel increments. Default: centered Note: Only applicable for VGA input video

Parameter	Available Adjustment
Aspect Ratio	<p>Switch the scaling method between Full Scaling and Maintain Aspect Ratio.</p> <ul style="list-style-type: none"> • Default: Wide scaling • Wide screen - scales the X- and Y-dimensions of the input video (up or down as needed) to the display's natural resolution. • 5:4 - Adjust the aspect ratio of the input video to 5:4 and fill the rest of the display with the same number of black bars on the left and right sides. • 4:3 - Adjust the aspect ratio of the input video to 4:3 and fill the rest of the display with the same number of black bars on the left and right sides. <p><i>Other touch technologies may need to be calibrated when switching between Aspect Ratio options.</i></p> <p>Note: this function is available only for wide screen monitors.</p>
Sharpness	<p>Adjust sharpness of the images.</p> <p>Default: no need to adjust sharpness</p> <p>Note: Only applicable to non-inherent input video resolution.</p>
Color Temperature	<p>Select the screen's color temperature. The available color temperatures are 9300K, 7500K, 6500K, sRGB and User Defined. If the User Defined option is selected, the user can change the color temperature by changing individual R, G, and B gains on a scale from 0 to 100. Default: User Defined with R, G, and B all set to 50.</p>
OSD H-Position	<p>Adjust the horizontal location of the OSD menus on the monitor.</p> <p>Default: centered</p>
OSD V-Position	<p>Adjust the vertical location of the OSD menus on the monitor.</p> <p>Default: centered</p>

Parameter	Available Adjustment
OSD Timeout	Adjust OSD button, if no operation is performed for a period time, the OSD will be closed. The adjustable range is between 5 and 60 seconds. Default: 10 seconds
OSD Language	Select which language the OSD information is displayed. The available languages are: English, French, Italian, German, Spanish, Simplified Chinese, Traditional Chinese, Russian, Korean and Japanese. Default: English
Reset Defaults	Select “Reset” restores default settings for adjustable parameters (except OSD Language) and for Preset Video Mode timings from factory.
Video Priority	The monitor continually scans for active video on the VGA ,HDMI and DP connectors. This adjustment selects which of those input ports should be given priority to be displayed. The options are: HDMI Priority, VGA Priority, DP Priority Default: VGA Priority

- All touch monitor adjustments made through the OSD are automatically memorized when entered.
- This means that the user does not need to reset the monitor every time when you unplugged.
- If a power failure occurs, the touch monitor settings will not be the default value.

Section 5: Technical Support & Troubleshooting

- In case of issues when using touch monitor, please refer to the following suggestions.
If the problem persists, please contact your sales agency or Dignity Customer Service. The technical support contact information are available on the last page of this user manual.

Solutions of Common Problems

Problem	Suggested Solutions
The monitor does not respond when turning on the system	Check the power supply is properly connected and verify if it is functioning Check the product's OSD for a light indicating it is powered on
Screen brightness is too low	Use the OSD to increase brightness and contrast
Monitor display is black (no image)	If the Power Status LED is blinking, the monitor may be in SLEEP mode touch the screen to see if the image reappears
Monitor display image looks strange	Use the automatic adjustment function in the OSD to adjust the resolution/timing mode of your computer to the appropriate range for your touch monitor
*Touch doesn't work	Verify your PC has installed the latest PCAP drivers, and run them
The OSD buttons or power button does not respond when pressed	Check if the OSD cable is loose
*Doesn't wake when touched	Check the PC system if it is supported

Section 6: Safety & Maintenance

Safety

- ◆ To avoid risk of electric shock, follow all safety notices and do not disassemble the monitor. Do not repair by yourself without permission.
- ◆ If the monitor is embedded in the case, pay attention to ventilation and heat dissipation.
- ◆ A three-wire, grounding power cord plug only fits into a grounded outlet. Do not fit or modify the plug into an outlet that has not been configured for this purpose.
- ◆ Do not use a damaged power cord. Please use only the power cord that came with your Dignity touch monitor. Using an unauthorized power cord might invalidate your warranty.
- ◆ Please ensure that your installation is equipped to maintain the specified environmental conditions listed in the Technical Specifications chapter.

Maintenance & Operation

The following tips will help keep your touch monitor functioning at an optimal level:

- ◆ Disconnect the power supply before cleaning.
- ◆ Use a cloth dipped with neutral detergent to clean the cabinet of the device.
- ◆ It is important that your machine must keep dry. Do not splash on or into liquids. If liquid enters the device, shut down the device, ask qualified technicians to check, and then power on the device.
- ◆ Do not wipe the screen with a cloth or sponge that could scratch the surface.
- ◆ To clean the touchscreen, use window or glass cleaner applied to a clean cloth or sponge. Never apply the cleaner directly to the touchscreen. Do

not use alcohol (methanol, ethanol or isopropyl alcohol), diluent, benzene or other corrosive cleaners.

- ◆ Ensure the environmental temperature and humidity are maintained within specification and do not block ventilation slots.
- ◆ Monitors are not designed for outdoor use.

Section 7: Regulatory Information

Electrical Safety Information

Compliance is required with respect to the voltage, frequency, and current requirements indicated on the manufacturer's label. Failure to comply with these restrictions and connect to a power source other than the one specified may result in abnormal operation, equipment damage, or fire.

There are no operator serviceable parts inside this equipment. There are hazardous voltages generated by this equipment which constitute a safety hazard. Service should be provided only by a qualified technician.

Radiation and Anti-interference information

- Please contact a qualified electrician or manufacturer if there are doubts about the installation before connecting the equipment.
- Notice for EU users: Use only the power supply and connection cable that comes with the device. Replacement of the accompanying power and connection cables may reduce electrical safety or radiation or anti-interference CE mark certification according to the following standards:
- The manufacturer's label for this information technology equipment (ITE) must bear the CE mark, which indicates that the equipment has been tested and meets the following directives and standards
- This equipment has been tested and meets the CE marking requirements in accordance with EMC Directive 2014/30 / EU as specified in European Standard EN 55032 Class A and Low voltage Directive 2014/35 / EU as specified in European standard EN 62368-1.
- This is an A grade product. In the living environment, the product may cause radio interference. It may interfere with radio and television communications if not installed and used in accordance with this user manual; However, as vary conditions, there is no guarantee that

interference will not occur during any particular installation.

1. In order to meet the Radiation and anti-interference requirements, the user must observe the followings:

- a. Use only the provided I/O cables to connect this digital device with any computer.
- b. To meet the requirements, use only the power supply approved by manufacturer.
- c. Users must be aware that any modification or modification of the device without the explicit approval of the compliance responsible company may cause the authorization to become invalid.

2. If the equipment interferes with radio or television reception or any other equipment:

a. Verify as an emission source by turning the equipment off and on. If you determine that this equipment is causing the interference, try to correct

the interference by using one or more of the following measures:

- i. Move the digital device away from the affected receiver.
- ii. Reposition (rotate) the digital device with respect to the affected receiver.
- iii. Adjust the direction of the antenna of the affected receiver.
- iv. Plug the digital device into a different AC outlet so the digital device and the receiver are on different branch circuits.
- v. Disconnect and remove all I/O cables that are not used by the digital device.(Unconnected I/O lines may produce higher RF radiation.)
- vi. Plug the digital device into a grounding socket only. Do not use AC adapter plugs.(Removing or cutting ground cables can raise radiation levels

and expose users to shocks.)

If you need additional help, consult your agent, manufacturer, or an experienced radio or television technician.

Certificate

The following certifications and marks have been issued or declared for this monitor:

- CE (Europe)

Remarks

Many of the components used in the production of this monitor are capable of being recycled. Final disposal of this product after its service life must be in accordance with applicable country, state, or local laws or regulations.



Power Supply Specifications:

option	specifications
Input	110 ~ 240VAC, 50/60Hz
Output	12V/24V DC, 5A, CE, EMC, RoHS, other certifications

Temperature and Humidity specifications:

status	option	specifications
Operating conditions	Temperature	0°C ~ 40°C
	Humidity	20% ~ 80% (non-condensing)
	Altitude	0 to 3,048m
Storage conditions	Temperature	-20°C ~ 60°C
	Humidity	10% ~ 95% (non-condensing)
	Altitude	0 to 12,192m

Section 8: Warranty Information

Unless otherwise specified in this manual or in the order confirmation delivered to Buyer, seller warrants to buyer that the products are free from defects in material or workmanship. This touch monitor and its components are guaranteed for 2 years.

However, the seller has not given any warranty as to the standard service life of the parts.

Buyer shall promptly notify seller in writing (and in any case not later than 30 days after the discovery) of any product that does not comply with the warranties set forth above, and shall include in such notice a detailed description of the problems associated with the condition, while providing seller with the opportunity to inspect the installed products to the extent possible. Unless otherwise instructed in writing by the seller, the buyer must ensure that the seller receives such notice during the warranty period of the products. Within (30) days after the submission of such notice and with the approval of seller, buyer shall pack the products into the original packing case or similar packing, and ship such products to seller at its own cost and risk.

Upon receipt of any product claimed by buyer to be defective and confirmation that such product does not conform to the foregoing warranty, seller shall take corrective action within a reasonable time by either (1) repairing such product (2) replacing such product. The cost of repairing or replacing the product and returning the repaired or replaced product to buyer shall be paid by seller. Buyer shall reimburse seller for transportation costs incurred in connection with products returned by buyer but not found to be defective by seller. Repair of products can be performed at seller's or buyer's premises at seller's option. If seller is unable to repair or replace any product to bring it into compliance with the foregoing warranty, need to refund at the purchase price.

These are the only compensations available to the buyer if the seller breaches the warranty. Except for the express warranties set forth above, seller makes no warranties, express or implied, with respect to the products, including fitness for any purpose, quality, marketability, non-infringement, etc. No employee nor any other person of the seller is authorized to make any warranties in respect of the products other than the above warranties. Seller's liability during the warranty period is limited to refunding the purchase price of the product. In any case, seller be liable for any expenses incurred by buyer in purchasing or installing replacement Products, or for any special, indirect, derivative or incidental damages.

Buyer assumes the risk and agrees to protect seller from and indemnify seller against all liability in connection with: (1) evaluating the appropriateness of its planned use of the products and any system designs or drawings, and (2) determining whether its use of the products complies with applicable laws, regulations, guidelines and standards. Buyer shall be fully liable for all warranties and other claims arising in connection with or in connection with buyer's products. Buyer shall be solely responsible for all representations and warranties relating to the products manufactured or authorized to be manufactured by buyer. Buyer shall protect seller from and indemnify seller against any liability, claim, loss, cost or expense arising out of its products or representations or warranties in connection with its products and indemnify seller for any losses suffered thereby.

For more information on Dignity's product range, please contact your nearest office.

Chinese mainland

Tel: +86 757 2668 7241

Mail: touchinfo@dignity.com.cn

Europe

Tel: +34 960 640 073

Mail: info@dignity-eu.com

